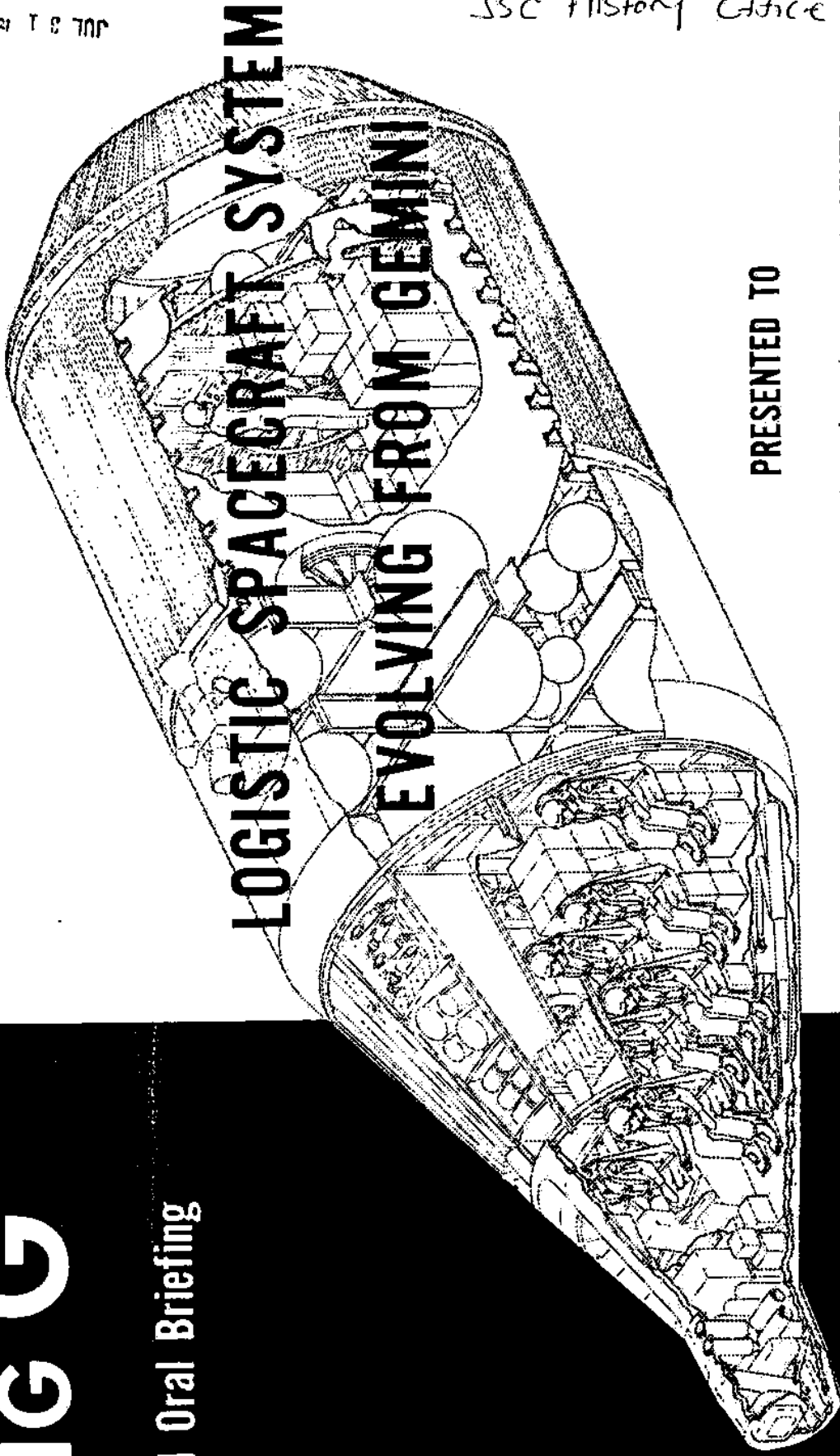


BIG G

Final Oral Briefing



LOGISTIC SPACECRAFT SYSTEM EVOLVING FROM GEMINI

PRESENTED TO

NASA MANNED SPACECRAFT CENTER

INDEXING DATA
DATE _____
OFFICE _____

OPR. _____

MIN. _____

I _____

B _____

PGM _____

SHY _____

SUBJECT _____

Long Range Reconnaissance
Support Vehicle, Phase
Development Studies

SIGNATOR _____

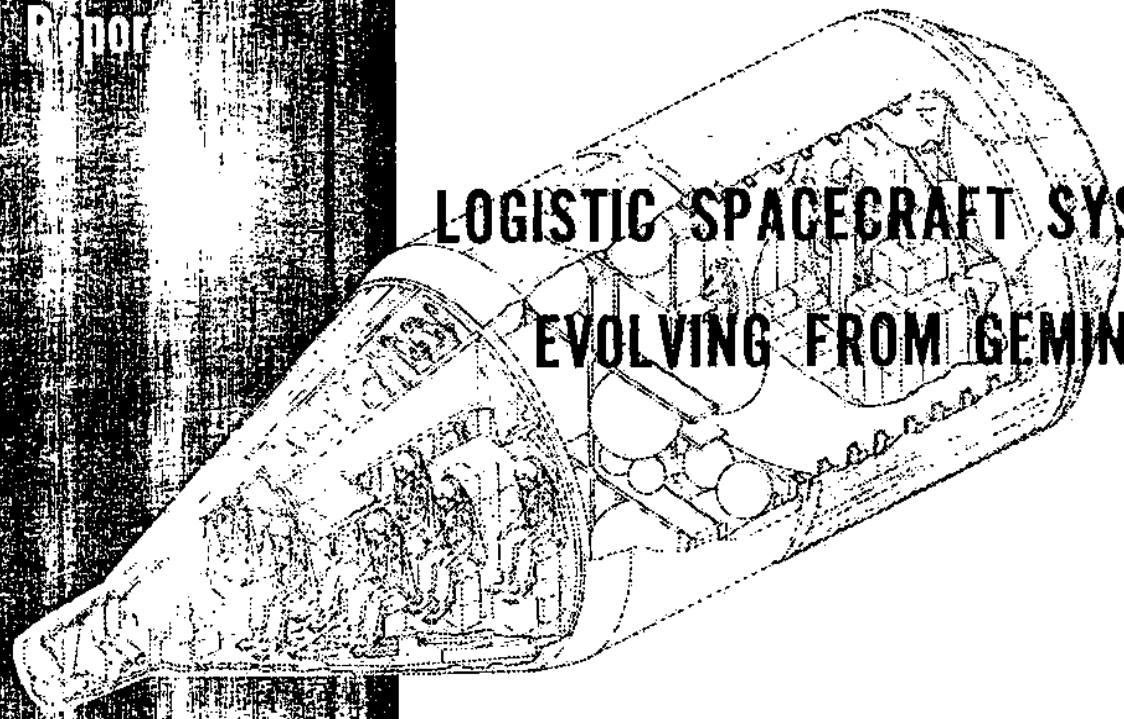
LOC _____

CONTRACT NO. NAS 9-8851

MC DONNELL DOUGLAS

FIG 6

Final Report



**LOGISTIC SPACECRAFT SYSTEM
EVOLVING FROM GEMINI**

VOLUME VII

**Refurbishment and Reuse, Reliability,
and Operational Support Analyses**

McDONNELL DOUGLASS
CORPORATION

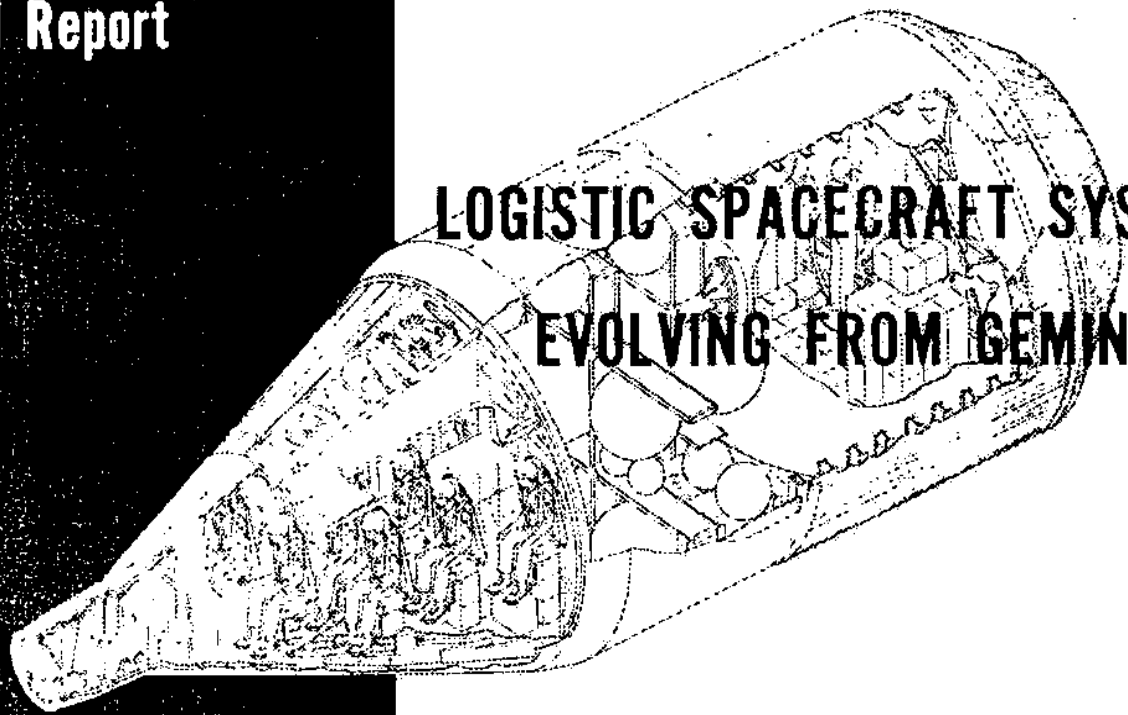
CONTRACT NO. NAS 9-8851

REPORT H321

AUG 21 1963

BIG G

Final Report



LOGISTIC SPACECRAFT SYSTEM EVOLVING FROM GEMINI

VOLUME VIII

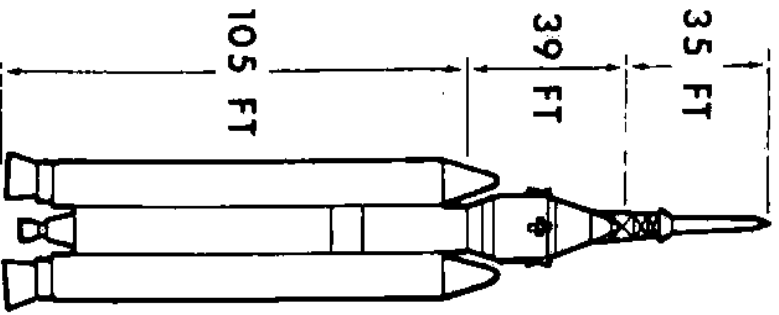
Program Development, Costs, and Study Results

McDONNELL DOUGLAS
CORPORATION

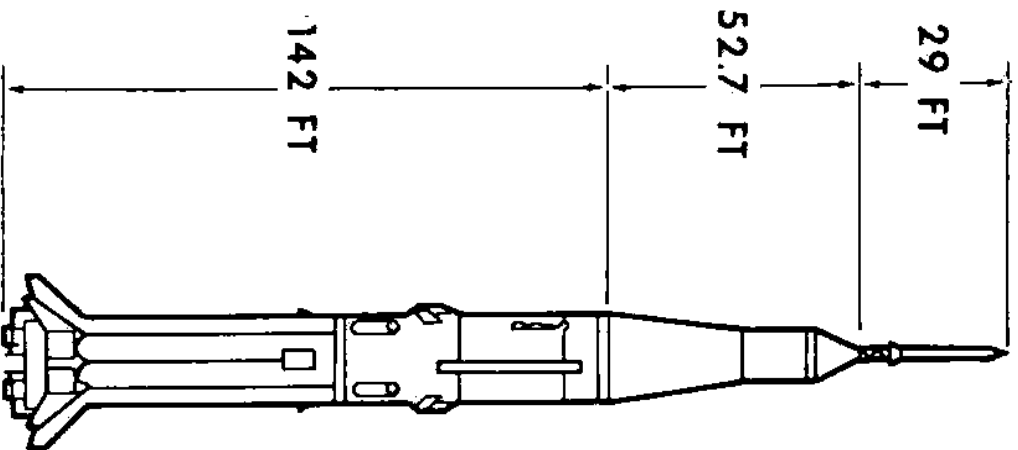
CONTRACT NO. NAS 9-8851

LAUNCH CONFIGURATIONS

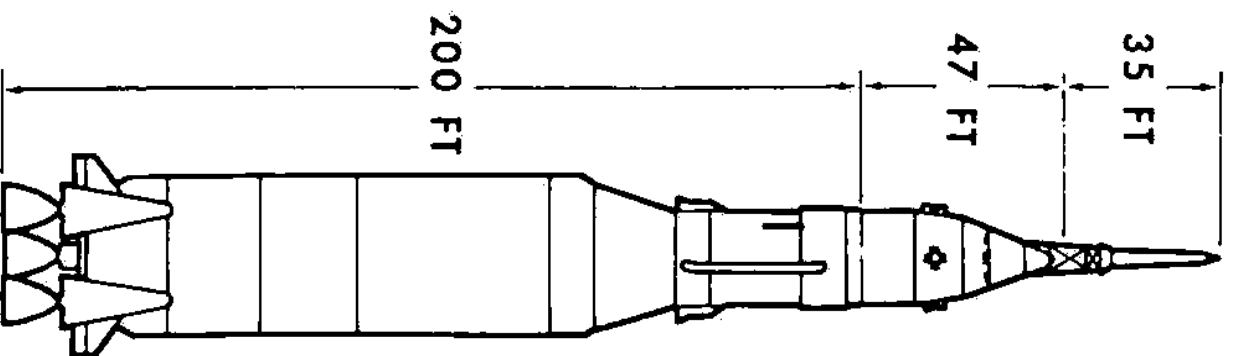
TITAN III/BIG G



SATURN IB/CSM

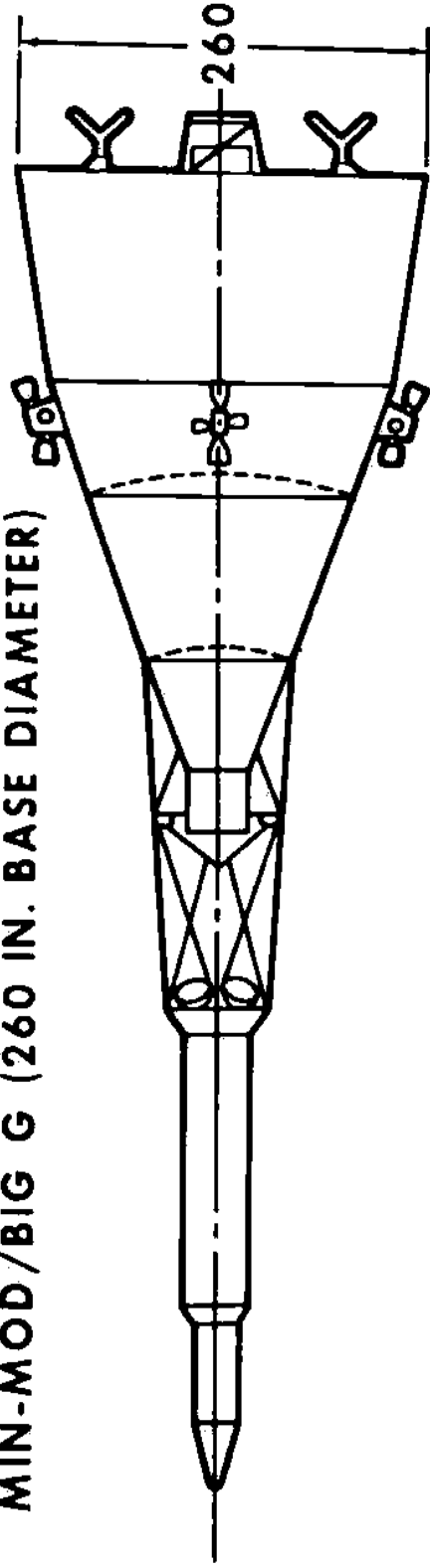


S-1C/S-IVB/BIG G

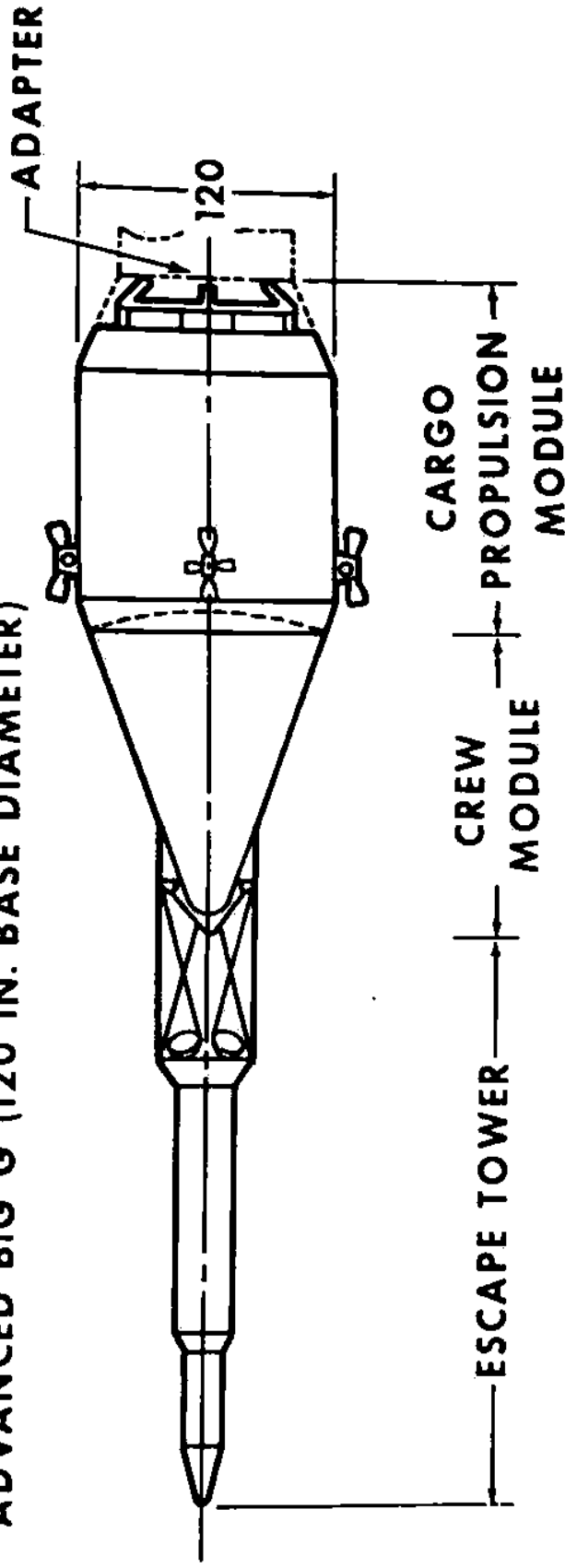


LOGISTIC SPACECRAFT CONFIGURATIONS

MIN-MOD/BIG G (260 IN. BASE DIAMETER)



ADVANCED BIG G (120 IN. BASE DIAMETER)



LOGISTICS SPACECRAFT EVOLVING FROM GEMINI

LOGISTICS SPACECRAFT EVOLVING FROM GEMINI

